

The 740 - U gearbox is designed for longer spans, wider wheels and heavier towers for use on centre pivot and linear irrigation systems.

Otech's 740-U final gearbox has larger tapered roller input bearings, capable of supporting a higher load, while maintaining a universal mounting system for simplified installation (mounting bolts and nuts included).

**Convenient functionality:**

Once oil draining achieved, filling is facilitated thanks to a convenient easy-access plug. It offers a 50:1 ratio between input shaft and output shaft and provides greater strength with a 25° pressure angle.

**Maximum protection:**

The output shaft is made of steel and the (dual) input shaft of ductile iron; the inlet and outlet gaskets are protected by multi-lip capsules. The diaphragm expansion chamber consists of a stainless steel cover.



FP0023EN



# FINAL DRIVE GEARBOX



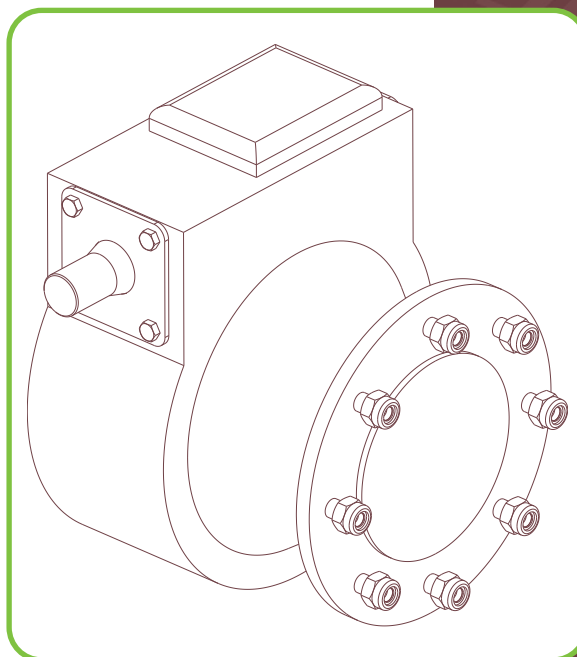
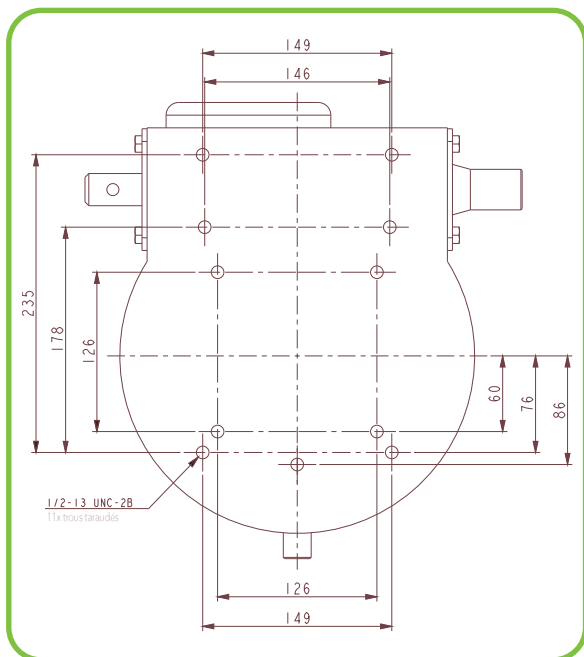
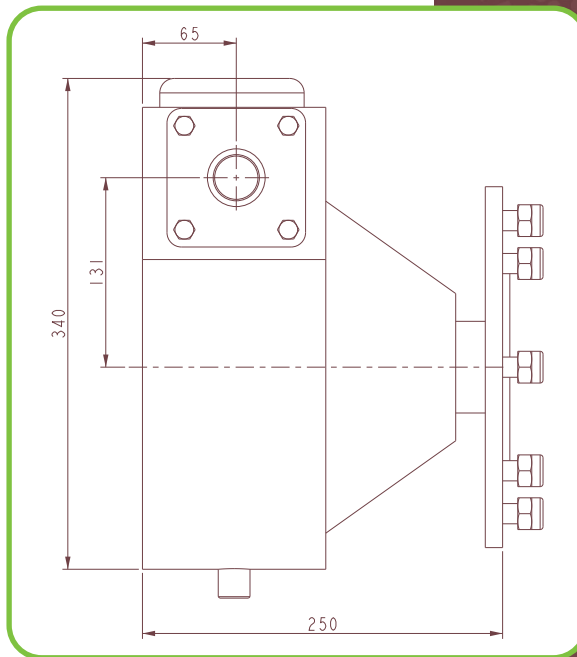
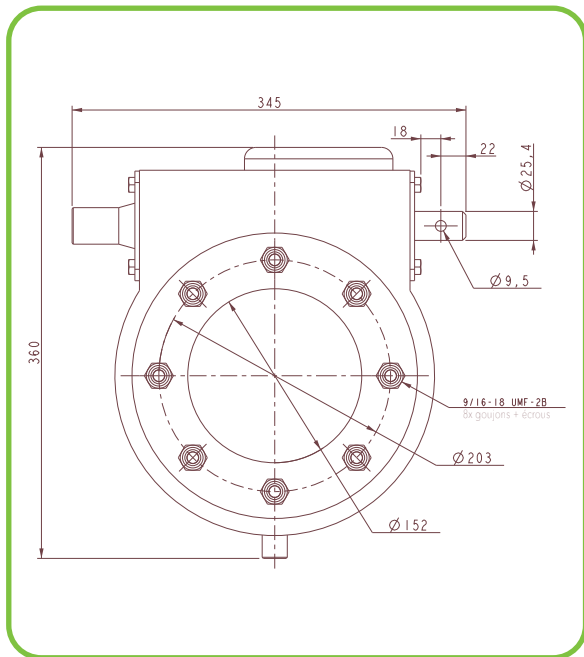
**OTECH**  
LEADING IRRIGATION

 A FARMFRONT COMPANY

Working at the Farmfront of Irrigation

[www.farmfront.com](http://www.farmfront.com)

# Dimensional Drawing



**NOTE**

**Model**  
740-U-AD

**Ratio**  
50:1



**OTECH**  
LEADING IRRIGATION

120 chemin de la sablière  
64270 Puyoô - France  
-  
Tel. : +33 559 651 219  
Fax : +33 559 652 005  
-  
otech-sa@otech.fr  
www.otech.fr